



RUBBER PARTS CATALOG®.com

DYANAFLEX - ROD ENDS

VIBRATION, SHOCK & MOTION CONTROL

SOLUTIONS - FOR A WORLD IN MOTION

We offer standardized products to meet most applications. Some control problems, however, require specialized solutions such as a custom-designed mount or a combination of LORD products. Our experts in vibration and noise control can analyze your individual requirements and provide you the most effective and affordable solution ... Ask Us How.

SURFACE EFFECT MOUNTS



Surface-Effect Mounts combine surface-effect damping principles with traditional rubber-bonded-to-metal technology. The result is a soft mount capable of providing effective damping over large deflections and a wide range of frequencies. As cab and engine mounts in on- and off-highway vehicles, Surface-Effect Mounts meet the most demanding requirements for vibration isolation and noise attenuation while controlling motion.

Compression Load Range: 3,115 - 6,987 N (700 - 1,570 lbs)

CONICAL MOUNTS



LORD Conical Mounts provide effective vibration isolation and noise attenuation with a simple, robust mount design. Consistent performance, high load bearing capabilities and a choice of radial stiffness characteristics are key features of these mounts. For more demanding vibration and noise reduction requirements, LORD integrates Conical Mounts with surface-effect technology to form an advanced control solution known as Surface-Effect Systems.

Compression Load Range: 801 - 11,392 N (180 - 2,560 lbs)

SANDWICH MOUNTS - FLEX-BOLT™



Efficient power transmission and driveline component durability are among powertrains designers' most important concerns. Increased durability and up-time are two characteristics demanded by purchasers of today's complex and expensive machinery. These demands can only be met with reliable, trouble-free, smooth-running powertrains free from damaging loads that compromise component life.

Compression Load Range: 27 - 59,808 N (6 - 13,440 lbs)

Shear Load Range: 4.45 - 7,476 N (1 - 1,680 lbs)

CENTER-BONDED MOUNTS



LORD Center-Bonded Mounts isolate vibration, control shock and reduce noise due to structure borne vibrations. Available in a full range of rated load capacities and able to withstand shock loads of 10 g's, these mounts effectively protect equipment and improve operator comfort. They are ideal for automotive, marine, railroad and industrial markets.

Compression Load Range: 334 - 9,345 N (75 - 2,100 lbs)

TWO-PIECE MOUNTS



LORD Two-Piece Mounts are designed for applications involving severe dynamic forces in the static load direction, as well as the rebound direction. Travel is limited in both directions by rubber in compression that provides snubbing.

Compression Load Range: 178 - 15,352 N (40 - 3,450 lbs)

BINOCULAR/SPLIT MOUNTS



LORD Binocular/Split Mounts are designed for applications involving severe dynamic forces in the static load direction, as well as the rebound direction. Travel is limited in both directions by rubber in compression that provides snubbing.

Compression Load Range: 4,450 - 6,675 N (1,000 - 1,500 lbs)

PLATFORM MOUNTS



LORD Platform Mounts provide effective isolation against vibration. The contour of the flexing element was developed to provide uniform stress distribution. This, plus high strength bonding and the use of specially compounded elastomers, provides maximum service life.

Compression Load Range: 2 N - 2,225 N (0.5 - 500 lbs)

GROMMET ISOLATORS



LORD Grommet Isolators provide effective, economical vibration isolation for light loads. They are suitable for commercial and military applications including computers, disk drives, business machines, precision instrumentation and general industrial equipment.

Compression Load Range: 4 - 27 N (1 - 6 lbs)

MACHINERY MOUNTS



LORD Machinery Mounts are designed to support heavy equipment and isolate intermittent or continuous vibration. The result is greater machine accuracy, longer service life, smoother operation and reduced maintenance. These mounts are available in four types to suit different needs.

Compression Load Range: 223 - 33,375 N (50 - 7,500 lbs)

BUSHINGS



LORD Center-Bonded Bushings and Square-Bonded Bushings are used in applications where the absorption shock, attenuation of noise, reduction of wear and elimination of lubrication is required.

Compression Load Range: 890 - 41,385 N (200 - 9,300 lbs)

DYNAFLEX® ELASTOMERIC ROD ENDS

LORD
AskUsHow™



“Effective suppression of noise and vibration...”

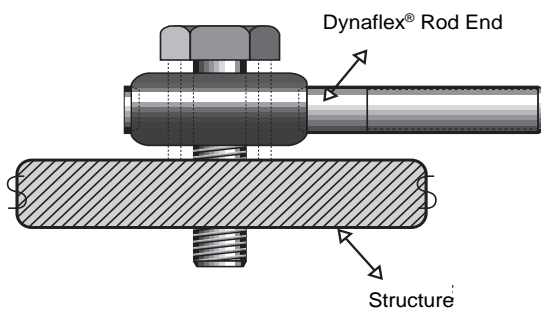
Dynaflex® elastomeric rod ends deliver effective suppression of noise and vibration in vehicle suspensions and linkages. In addition, they combine the vibration isolation capabilities of elastomeric mounts with the ease of installation of rod ends. These products are suitable for a broad range of on- and off-highway vehicles, from Class 8 trucks, race cars and recreational vehicles to farm equipment.

Features and Benefits

- Isolate noise and high-frequency vibration while providing effective shock attenuation.
- Have no metal-to-metal surfaces or internal clearances, as conventional rod ends do.
- No high-frequency “chatter” of metal against metal and no risk of brinnelling.
- Maintenance-free, corrosion-resistant design.
- Easily interchangeable with conventional rod ends.
- Available in varying stiffnesses and with male, female, left and right handed threads.

This line of rod ends has been proven to five million cycles at twice the rated load. Custom load ratings are also available.

To meet special applications, custom elastomeric materials and housing sizes can be provided, and designs can be integrated with linkages as required.



Need assistance with selecting the right mount for your application?
CALL US @ 800.657.0747 Ask for Engineering

Offering thousands of **standard** industrial rubber products and **innovative “low” and “high” tech custom** elastomeric products.

ROD ENDS



DYNAFLEX® ELASTOMERIC ROD ENDS

LORD
AskUsHow™



RUBBERPARTSCATALOG.COM



To stay up to date with the most current information please

VISIT US @
RubberPartsCatalog.com

Need assistance with selecting the right Rod End for your application?

CALL US @ 800.657.0747
Ask for **Engineering**

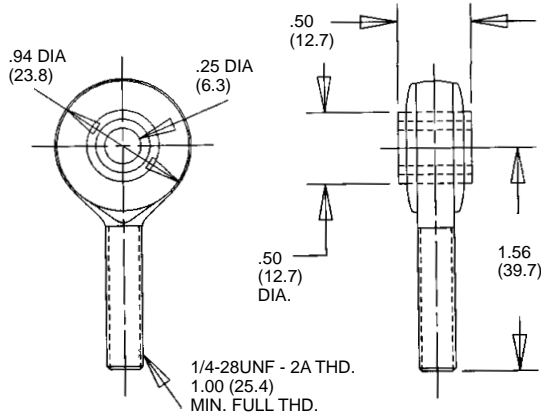
Part Number	Thread Type	Thread Hand	Rubber Type	TYP DYN Stiffness		Load Rating @ .020"	
				lb/in	N/mm	lb	N
J-21066-6	MALE	RIGHT	OR	1830	320	30	133
J-21066-8	MALE	RIGHT	OR	3840	673	60	267
J-21066-14	MALE	LEFT	OR	1830	320	30	133
J-21066-16	MALE	LEFT	OR	3840	673	60	267
J-21066-22	FEMALE	RIGHT	OR	1830	320	30	133
J-21066-24	FEMALE	RIGHT	OR	3840	673	60	267
J-21066-30	FEMALE	LEFT	OR	1830	320	30	133
J-21066-32	FEMALE	LEFT	OR	3840	673	60	267
J-21068-6	MALE	RIGHT	OR	3660	641	60	267
J-21068-8	MALE	RIGHT	OR	8960	1569	140	623
J-21068-14	MALE	LEFT	OR	3660	641	60	267
J-21068-16	MALE	LEFT	OR	8960	1569	140	623
J-21068-22	FEMALE	RIGHT	OR	3660	641	60	267
J-21068-24	FEMALE	RIGHT	OR	8960	1569	140	623
J-21068-30	FEMALE	LEFT	OR	3660	641	60	267
J-21068-32	FEMALE	LEFT	OR	8960	1569	140	623
J-21270-6	MALE	RIGHT	OR	8320	1457	130	578
J-21270-8	MALE	RIGHT	OR	16875	2955	270	1201
J-21270-14	MALE	LEFT	OR	8320	1457	130	578
J-21270-16	MALE	LEFT	OR	16875	2955	270	1201
J-21270-22	FEMALE	RIGHT	OR	8320	1457	130	578
J-21270-24	FEMALE	RIGHT	OR	16875	2955	270	1201
J-21270-30	FEMALE	LEFT	OR	8320	1457	130	578
J-21270-32	FEMALE	LEFT	OR	16875	2955	270	1201
J-21275-6	MALE	RIGHT	OR	10980	1923	500	2225
J-21275-8	MALE	RIGHT	OR	20480	3587	1000	4450
J-21275-14	MALE	LEFT	OR	10980	1923	500	2225
J-21275-16	MALE	LEFT	OR	20480	3587	1000	4450
J-21275-22	FEMALE	RIGHT	OR	10980	1923	500	2225
J-21275-24	FEMALE	RIGHT	OR	20480	3587	1000	4450
J-21275-30	FEMALE	LEFT	OR	10980	1923	500	2225
J-21275-32	FEMALE	LEFT	OR	20480	3587	1000	4450

OR= Oil Resistant
Natural rubber and metric sizes are also available.
Please call Lord Corporation for information.

Offering thousands of **standard** industrial rubber products and **innovative "low" and "high" tech custom** elastomeric products.

ROD ENDS

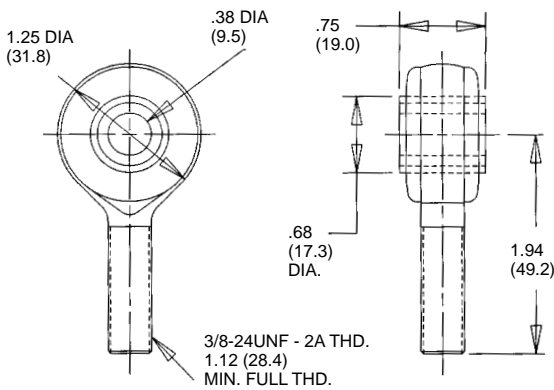
Part Dimensions – J-21066 Series 1/4" Size; #4 Size



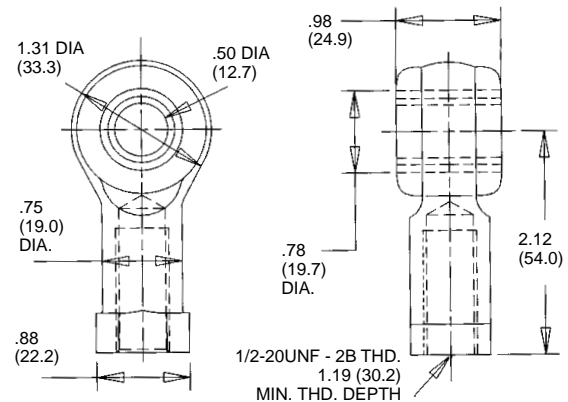
Need assistance with selecting the right Rod End for your application?

CALL US @ 800.657.0747
Ask for **Engineering**

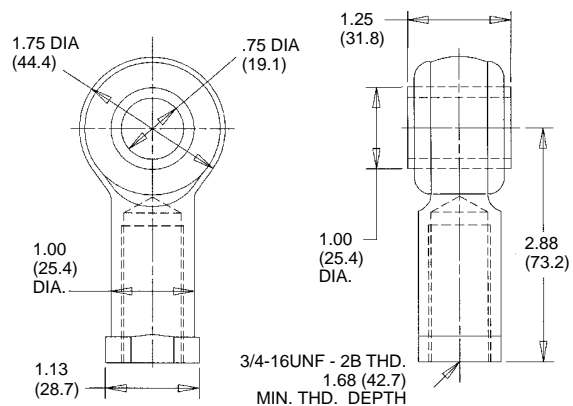
Part Dimensions – J-21068 Series 3/8" Size; #6 Size



Part Dimensions – J-21270 Series 1/2" Size; #8 Size



Part Dimensions – J-21275 Series 3/4" Size; #12 Size



Need pricing or current inventory?

CALL US @ 800.657.0747
Ask for **Quoting**

Offering thousands of **standard** industrial rubber products and **innovative** "low" and "high" tech **custom** elastomeric products.

NOTES



VIBRATION, SHOCK & MOTION CONTROL



NOTES:

SKETCH:

Need assistance with selecting the right mount for your application?

CALL US @ 800.657.0747 Ask for Engineering

NOTES

Offering thousands of **standard** industrial rubber products and **innovative "low" and "high" tech custom** elastomeric products.

TECHNICAL DATA

ELTAR

OFFERING THOUSANDS OF STANDARD INDUSTRIAL RUBBER PRODUCTS AND INNOVATIVE "LOW" AND "HIGH" TECH CUSTOM ELASTOMERIC PRODUCTS.

APPLICATION SELECTION GUIDE

	Standard	Platform	Henry Day	Multi-Piece	Center-Banded Mounts	CP-100 series	CP-180 series	CP-50 series	S21 series	Scaled-Inch Forms	Conical Mounts	Hytec™ Mounts	Two-Piece Mounts	CB0/CBC series	SS series	CP-2700 series	Bushings	Center-Banded	Square	Sandwich Mounts	Small Industrial Mounts	Metric	Small	Medium	Large	Machinery Mounts	Lake	Chain-Mounts	Levelling	Industrial	Red Ends	Couplings	Shear	Spool Type	Bushing Type	TC		
Actuators																		•																				
Cabs																																						
Computer & Accessories	•																																					
Covveyors																																						
Delicate Equipment	•																																					
Drive Lines																																						
Electronics	•																																					
Engines																																						
Engine Gen/Pumps sets																																						
Fans/Blowers																																						
Heating/Cooling Units																																						
Instruments & Gauges																																						
Machinery - Punch, Printing, Milling, Presses																																						
Motors Electric																																						
Pumps. Compressors																																						
Shakers/Vibrators																																						
Vehicle Accessories																																						
Shipping Containers																																						

VIBRATION, SHOCK & MOTION CONTROL

RUBBER PARTS CATALOG[®].com

Manufacturing

Distribution

Vibration Mounts

Grommets

Bumpers

Gaskets

Bushings

Stock & Custom Parts

Molded & Extruded

Military Grommets

End Caps

Adhesive Backed Bumpers

Lab Stoppers

Tips & Caps

Cord Stock

Suction Cups

Rubber Washer

O-Rings

Sheet, Sponge & Matting

Custom Fabrication

Blanket Service

Inventory Management & Releases

DELTAFLEX[™].com



Headquarters
1515 16th Street
Racine, WI 53403

Phone 262.632.2345
Customer Service 800.657.0747
Fax 262.632.0271

A parts listing in this catalog does not guarantee its availability. To download the most current version to go to RubberPartsCatalog.com

Values stated herein represent typical values as not all tests are run on each lot of material produced. For formalized product specifications or specific products end uses, contact [Engineering @ 800.657.0747](mailto:Engineering@800.657.0747).

Information provided herein is based upon tests believed to be reliable. In as much as DELTAFLEX and/or LORD Corporation has no control over the manner in which others may use this information, it does not guarantee the results to be obtained. In addition, DELTAFLEX and/or LORD Corporation does not guarantee the performance of the product or the results obtained from the use of the product or this information where the product has been repacked by any third party, including but not limited to any product end-user. Nor does the company make any express or implied warranty of merchantability or fitness for a particular purpose concerning the effects or results of such use.

Flex-Bolt and "Ask Us How" are trademarks of LORD corporation or one of its subsidiaries
DeltaFlex, the df triangle, RubberPartsCatalog and its logos are registered trademarks of Delta Flexible Products, Inc.